

# 3/4 CAROUSEL SET - 900/1000mm LH/RH

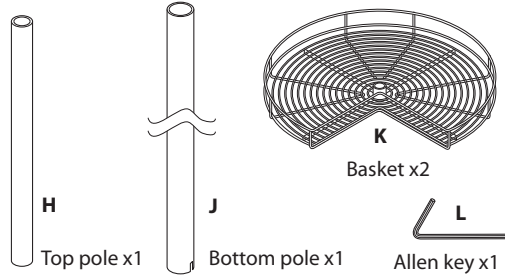
## Fitting instructions



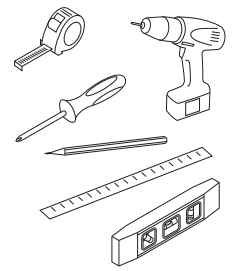
**IMPORTANT** - Each basket has a maximum loading limit of 10-15 kg. The unit has a total loading limit of 20kg. All fixings supplied must be used for installation.

### Parts

- A** x8 3.5 x 16mm screw
- B** Top mounting bracket x1
- C** Top pole locking ring x1
- D** Basket locking ring x2
- E** Basket top nylon ring x2
- F** Basket lower nylon ring x2
- G** Bottom mounting bracket x1

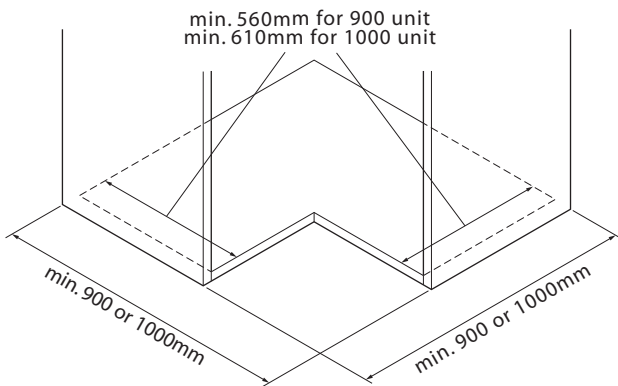


### Tools required

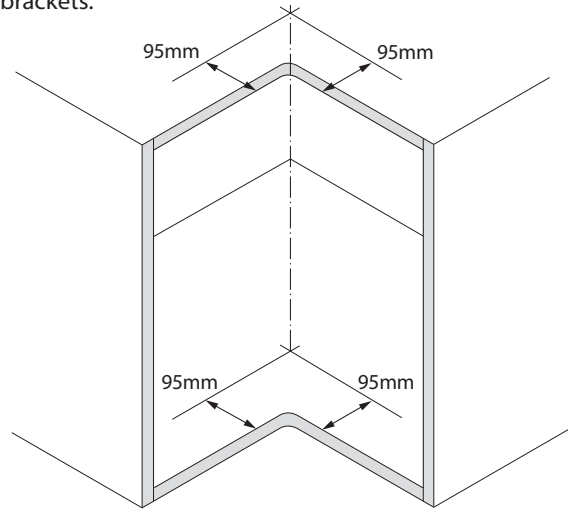


**!** Please ensure that all the above fittings are present before installation begins.

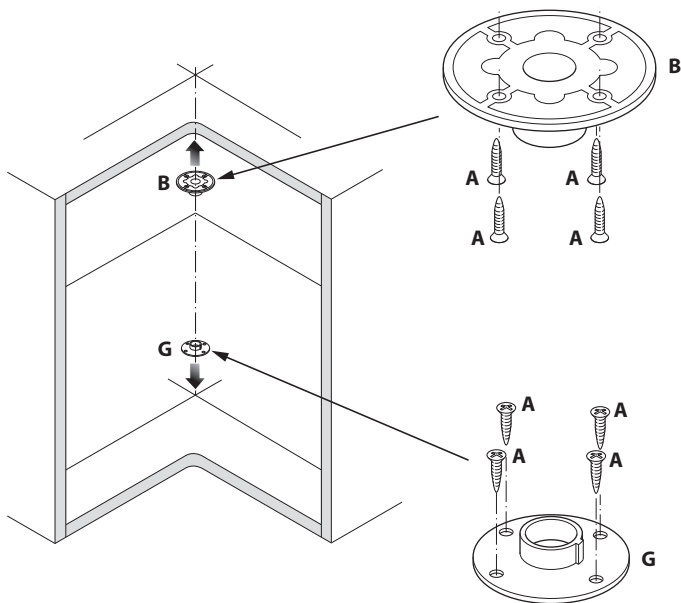
### 1 Minimum cabinet dimensions



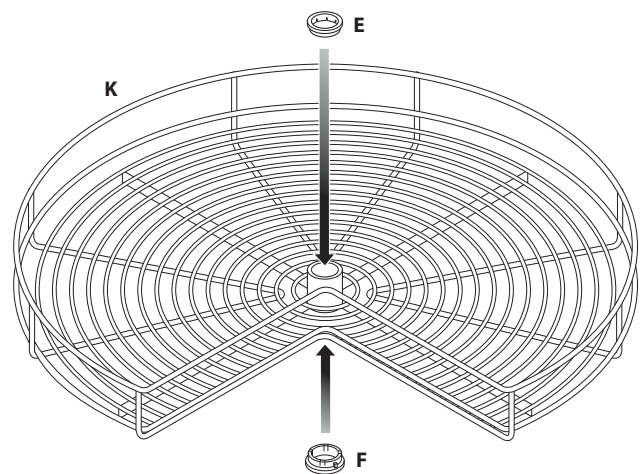
### 2 Measure and mark centres for the top and bottom mounting brackets.



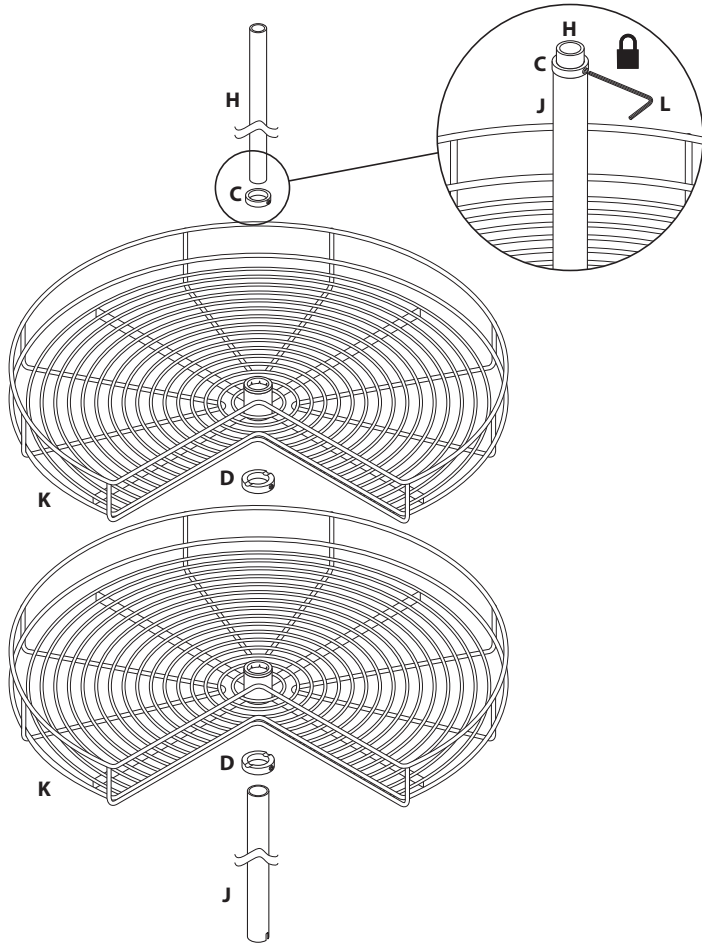
### 3 Fit the top and bottom mounting brackets to cabinet.



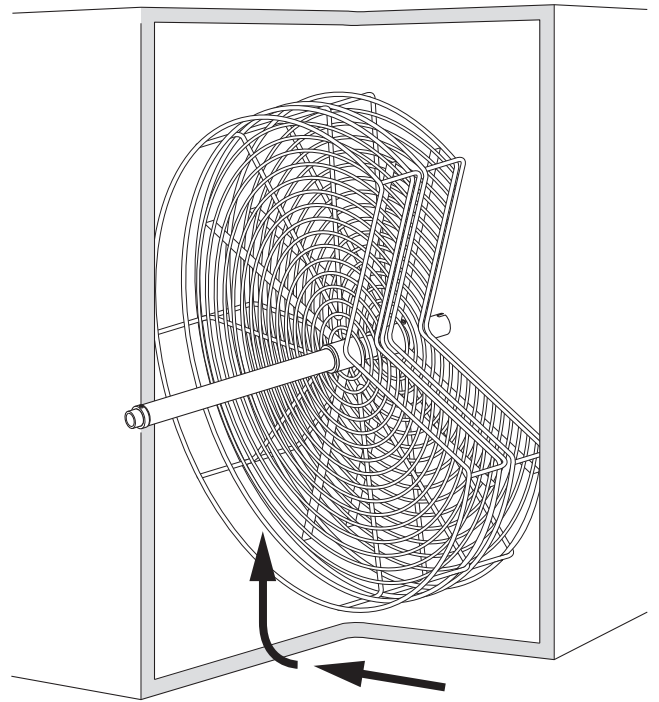
### 4 Fit the top and bottom basket nylon rings to both baskets



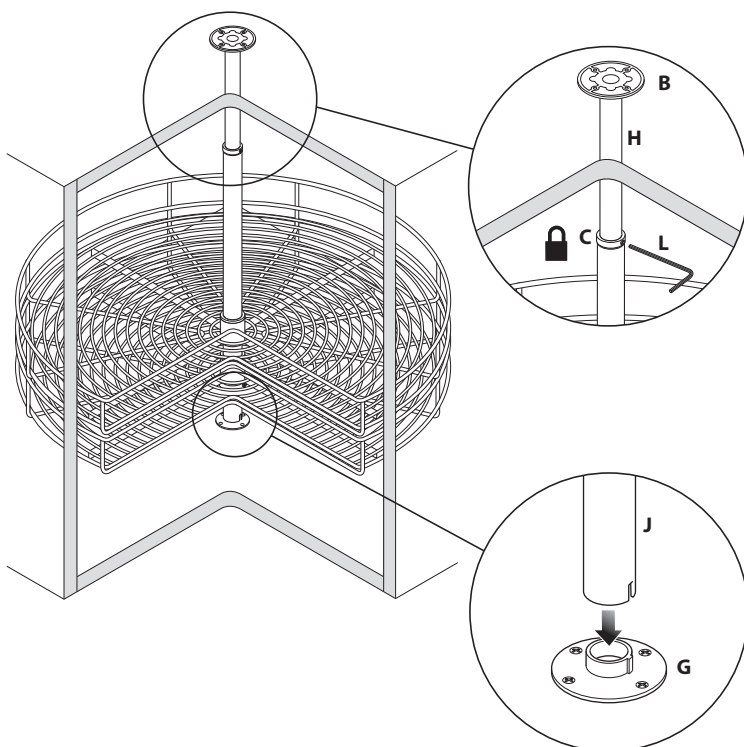
- 5** Assemble the baskets on the bottom pole.  
Below each basket fit a metal basket retaining ring (D).  
Insert the top pole into the bottom pole and temporarily secure  
in the lowest position using the top pole retaining ring (C).



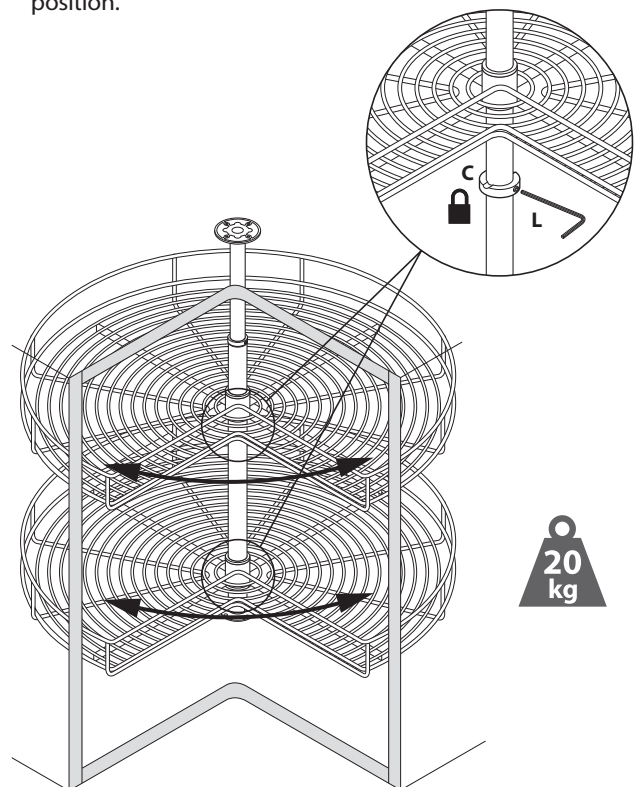
- 6** Lay the assembled unit on its side and insert into the cabinet. Rotate the unit so that the pole is vertical.



- 7** Locate the bottom pole on the bottom mounting plate  
ensuring the locking lug is engaged.  
Extend the top pole and locate in the top mounting plate.  
Lower the top pole retaining ring and lock above the  
bottom pole.



- 8** Select the required basket heights and lock the metal  
basket rings (D) to the lower pole ensuring the cam  
mechanism stops the basket rotation in the correct  
position.



**!** **IMPORTANT** - Each basket has a maximum loading limit  
of 10-15 kg. The unit has a total loading limit of 20kg.