

FULL HEIGHT LARDER - 300/400/500/600mm

Assembly and fitting instructions



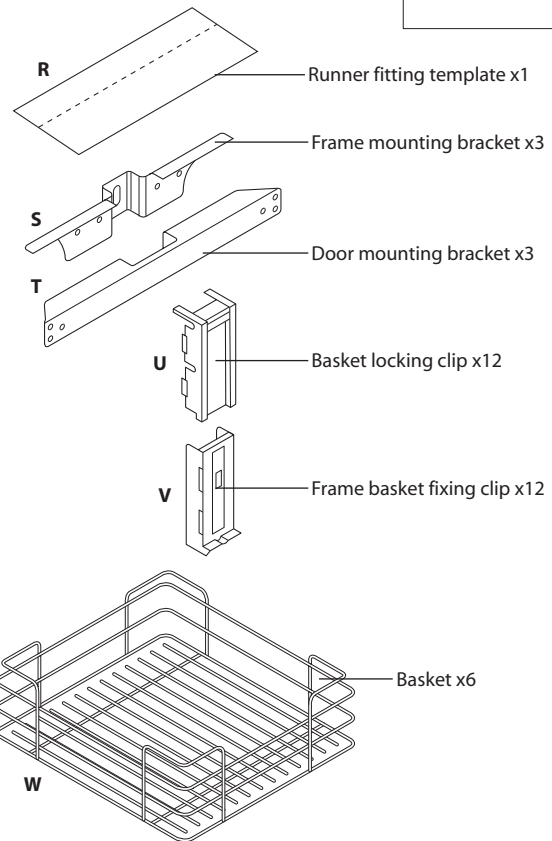
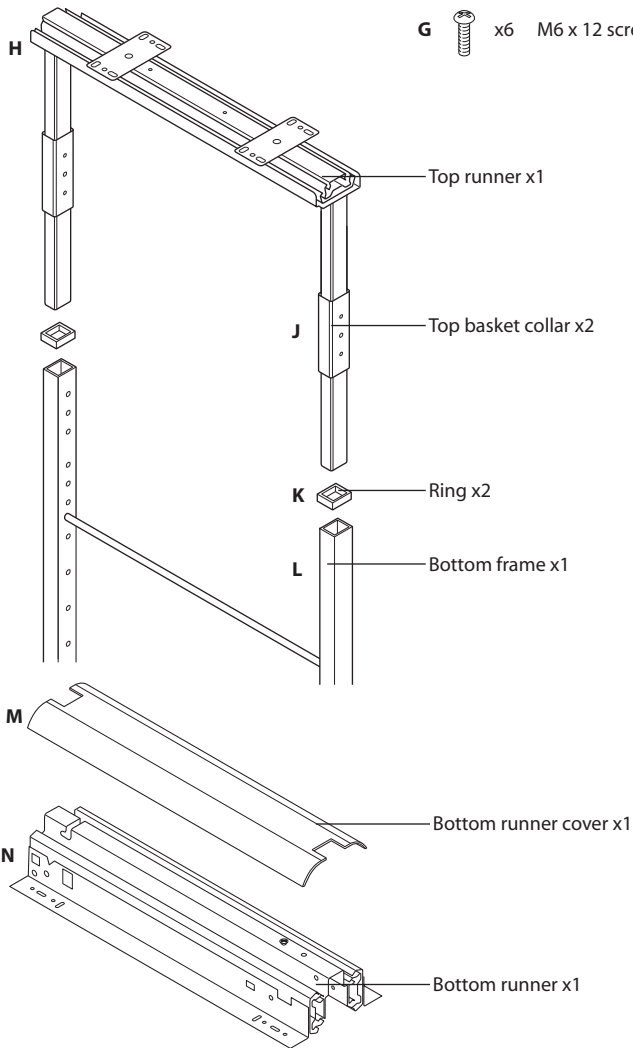
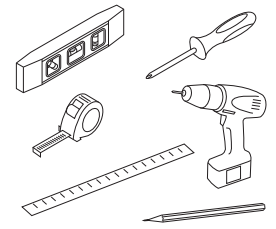
! **IMPORTANT** - The unit has a maximum loading limit of 60kg. Load should be evenly distributed across all baskets with maximum load capacity for each basket not exceeding 10kg. For units over 300mm an additional leg should be fitted to the centre of the cabinet base. All fixings supplied must be used for installation. No lubricant should be used on the runners.

Parts

- | | | | | | | | |
|----------|--|-----|-----------------|----------|--|----|-----------------|
| A | | x1 | M6 x 20mm screw | D | | x4 | M5 x 12mm screw |
| B | | x7 | M6 washer | E | | x1 | M6 x 12mm screw |
| C | | x34 | 16mm screw | F | | x6 | M6 x 8mm screw |
| | | | | G | | x6 | M6 x 12 screw |

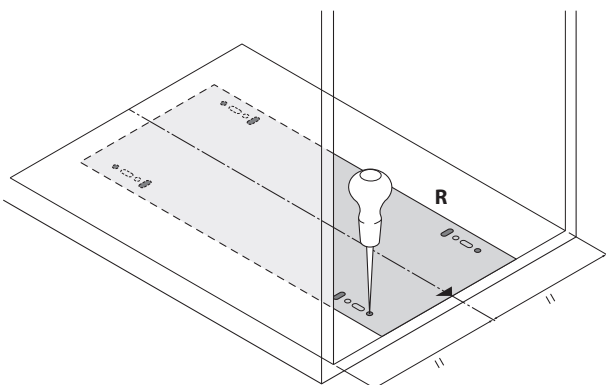
- | | | | |
|----------|--|----|--|
| P | | x1 | Alen key |
| Q | | x6 | M5 Grub screw (pre installed in frame) |

Tools required

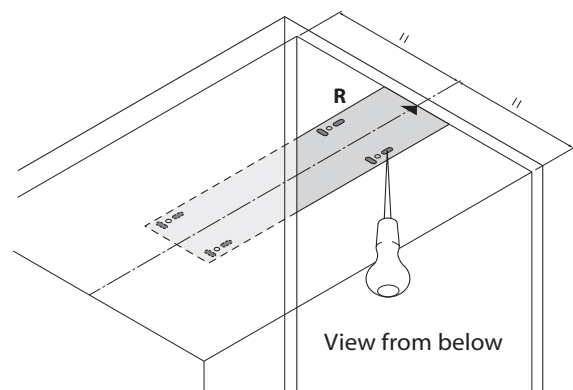


! **Please ensure that all the above fittings are present before installation begins.**

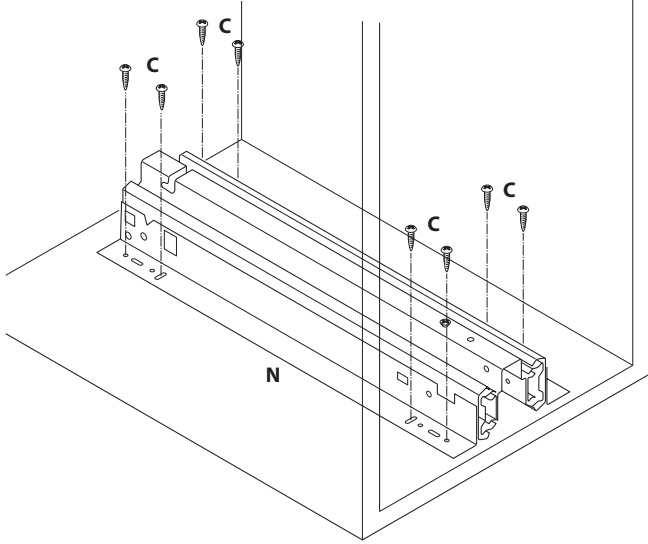
1 Align template on centre line of cabinet base and mark 8 screw fixing positions.



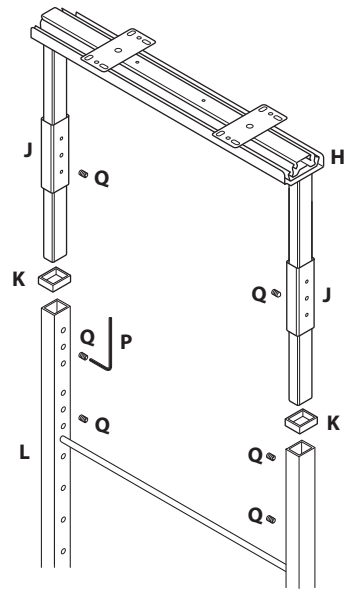
2 Align template on centre line of cabinet top and mark 8 screw fixing positions.



3 Screw bottom runner to cabinet base.

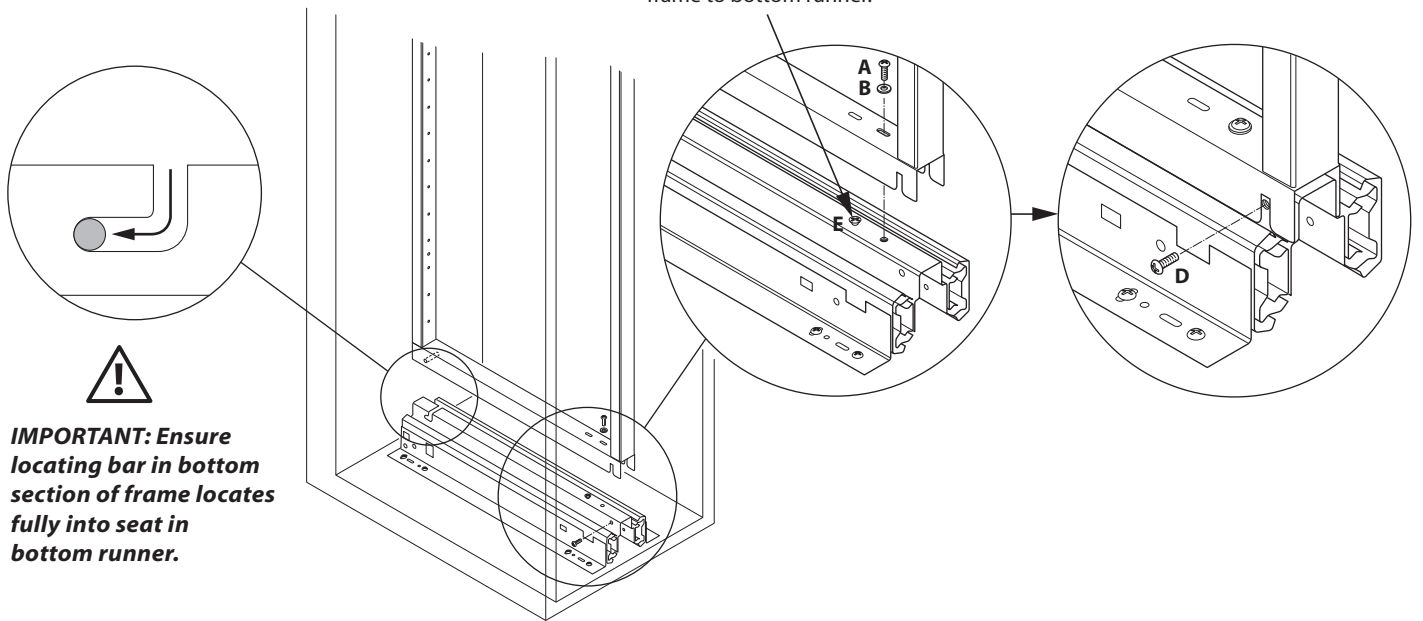


4 Fit top runner to frame.

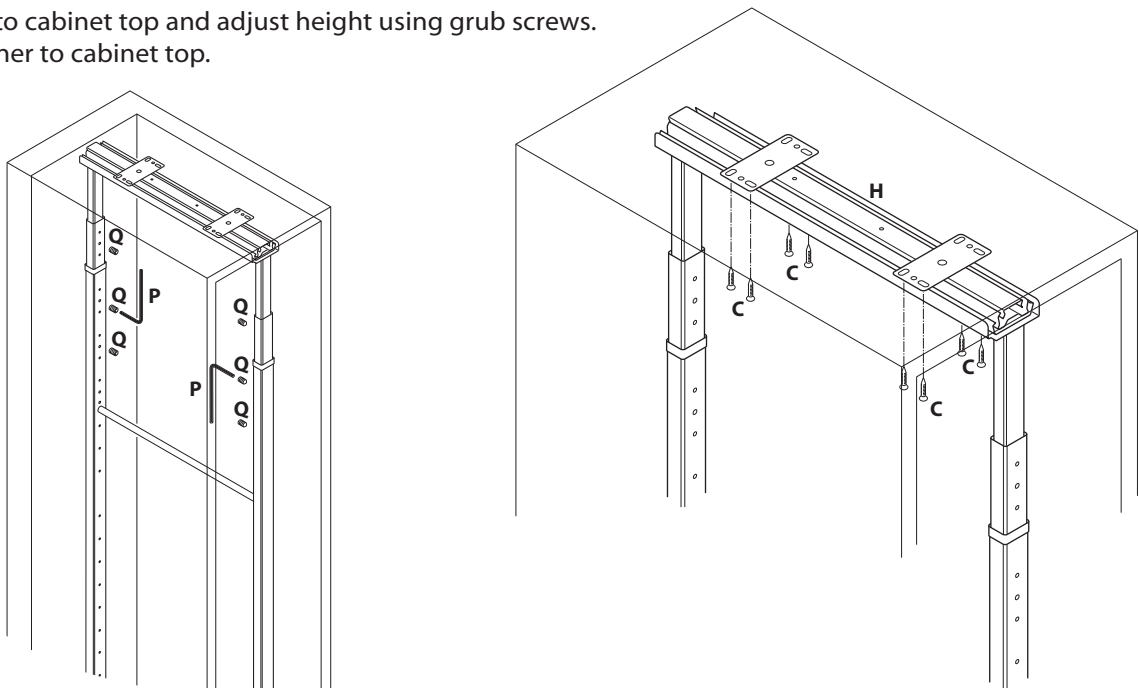


5 Attach frame to bottom runner.

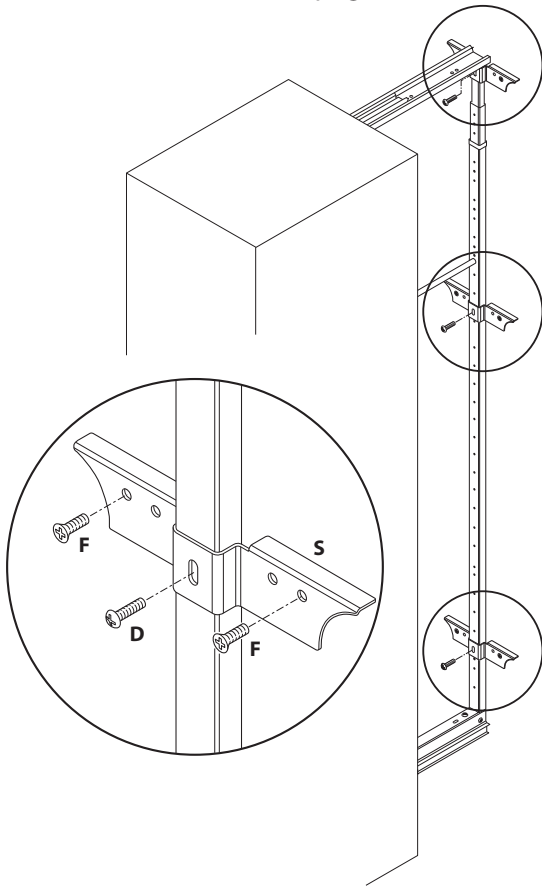
Ensure this screw (E) is fitted before attaching frame to bottom runner.



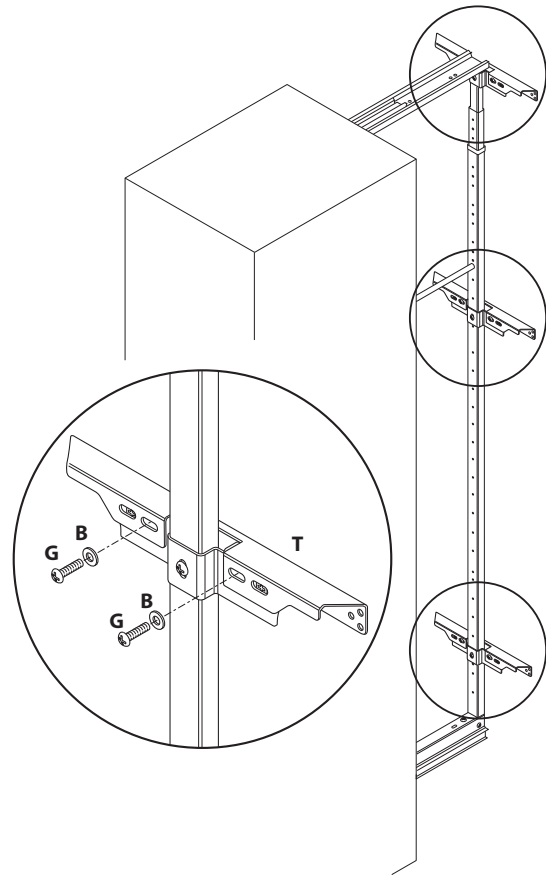
6 Extend frame to cabinet top and adjust height using grub screws. Screw top runner to cabinet top.



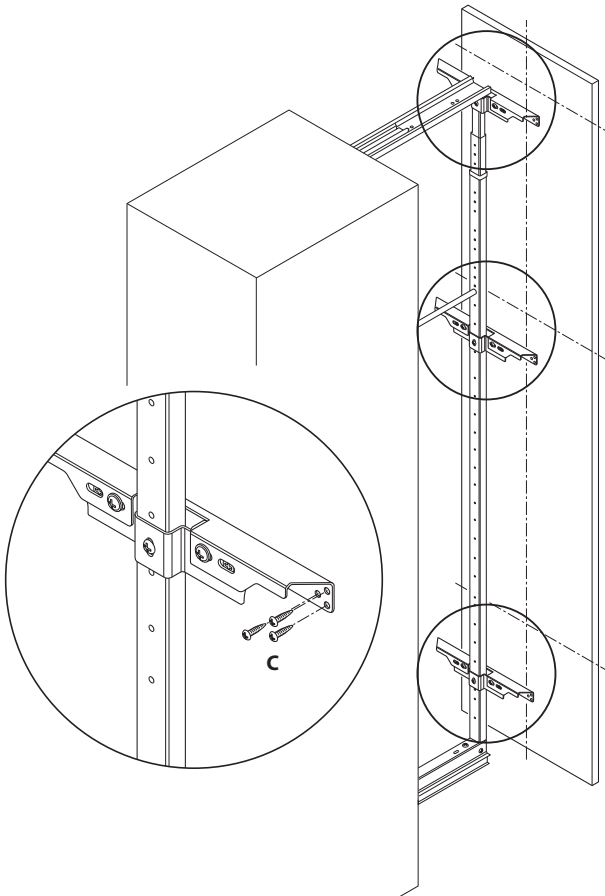
- 7** Fit adjustment screws to frame brackets and attach frame brackets to frame upright.



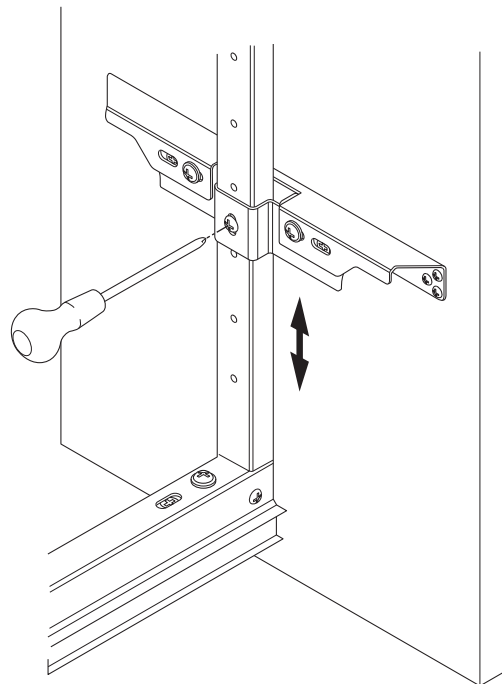
- 8** Fit door brackets to frame brackets.



- 9** Offer door to frame. Mark and fix screws in two positions. Check door alignment before marking and fixing the remaining screws.

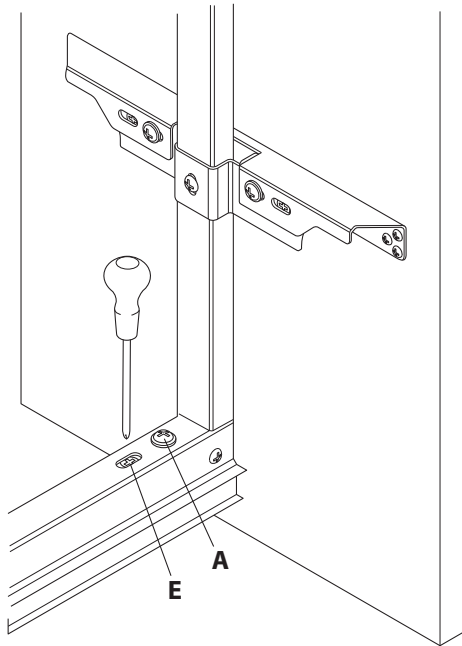


- 10** Adjust vertical door alignment with the 3 door bracket screws.

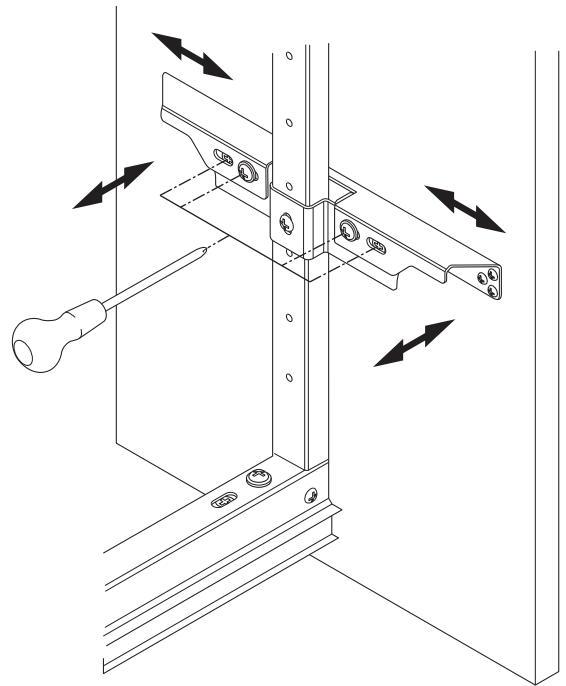


11 'Fine' adjustment of the vertical alignment of the door can be achieved by loosening screw **A** and adjusting screw **E**.

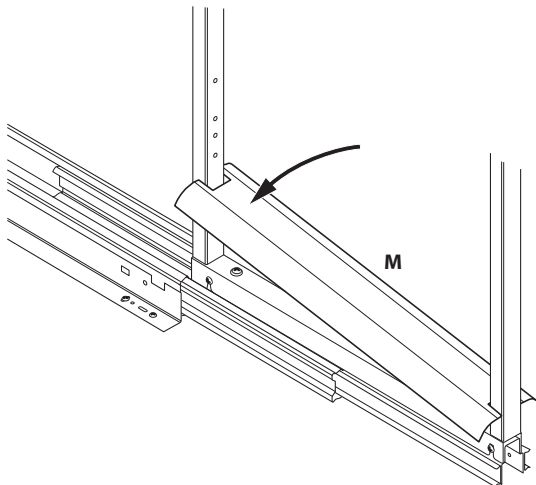
Ensure screw **A** is secured firmly after adjustment.



12 Adjust the horizontal and lateral door alignment with screws on the door brackets.



13 Fit the cover to the bottom runner.



14 Attach the frame basket clips to the frame and position the baskets. Attach basket locking clips to secure baskets - snap fit connection.

