

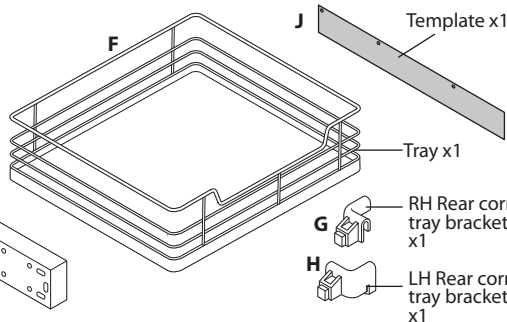
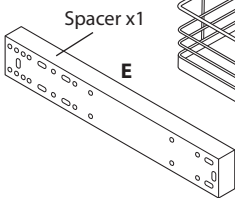
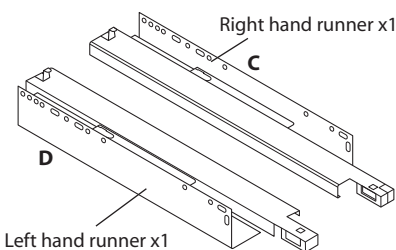
INDIVIDUAL PULL-OUT PLUS - 300/400/450/500/600mm

Assembly and fitting instructions

! **IMPORTANT - The unit has a maximum loading limit of 25kg. All fixings supplied must be used for installation.**

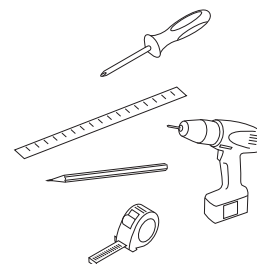
Parts **A** x5 3.5 x 40mm countersunk screw

B x5 3.5 x 16mm countersunk screw



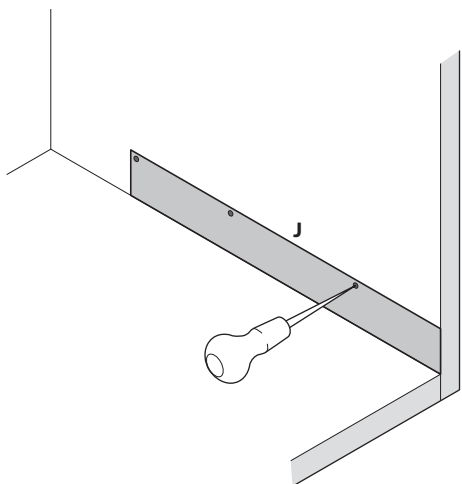
G RH Rear corner tray bracket x1
H LH Rear corner tray bracket x1

Tools required

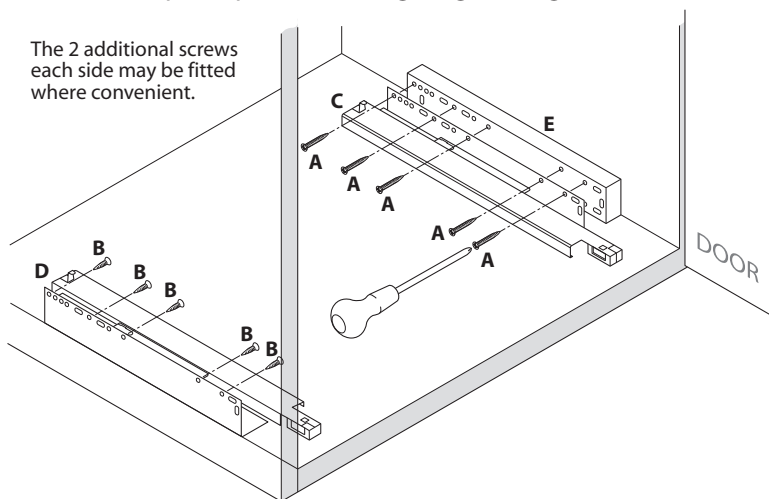


! **Please ensure that all the above fittings are present before installation begins.**

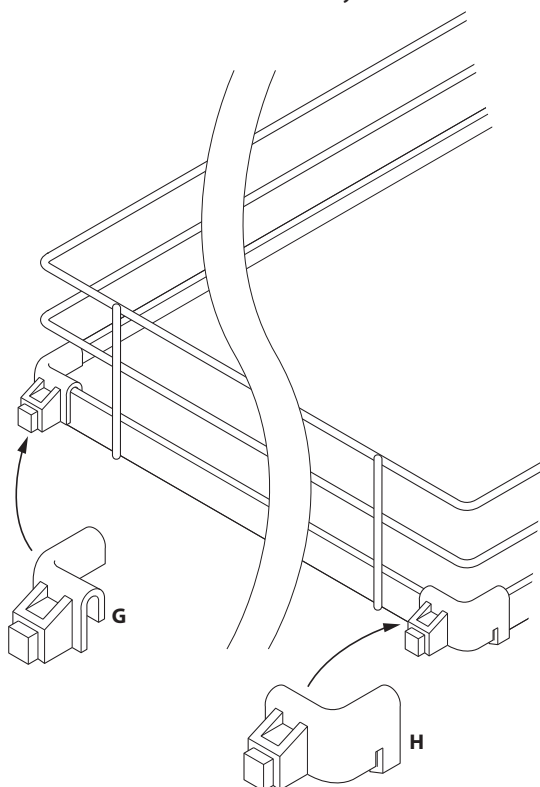
1 Use template to mark screw positions for left and right hand runners.



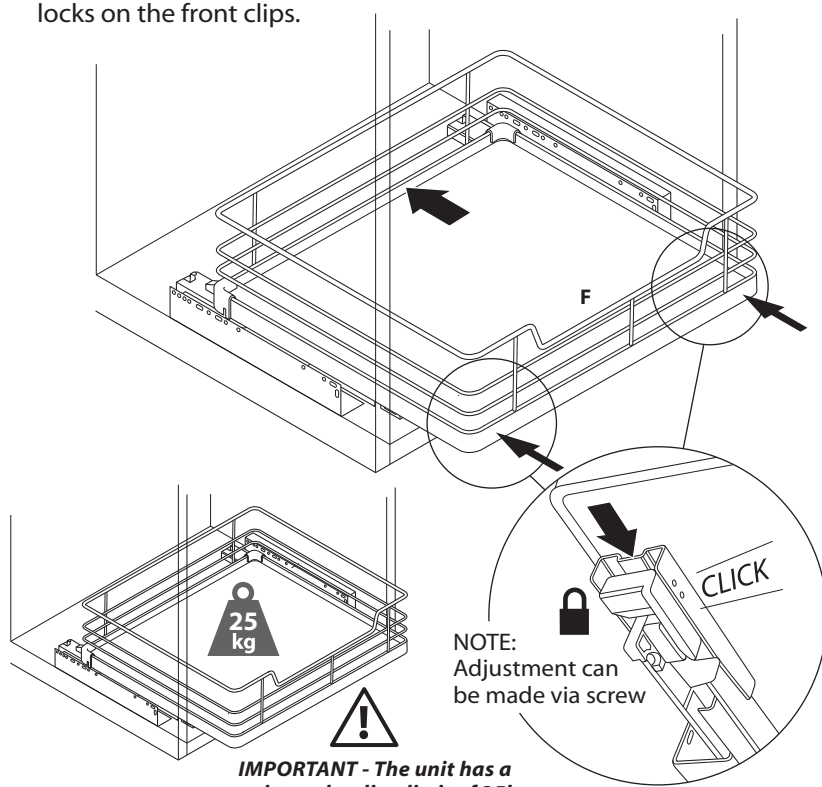
2 Secure runners to cabinet using 5 screws each side. On door hinge side, also use spacer provided, using longer fixing screws **A**.



3 Fit rear corner brackets to tray.



4 Slide the tray along the runners until it locates on the rear stops and locks on the front clips.



NOTE: Adjustment can be made via screw

! **IMPORTANT - The unit has a maximum loading limit of 25kg.**