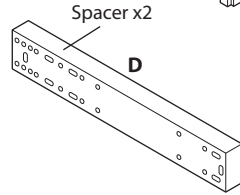
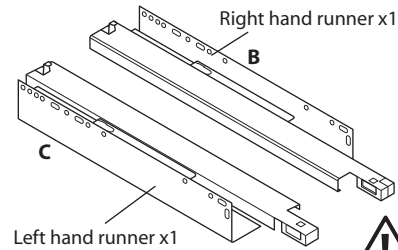


INDIVIDUAL PULL-OUT PLUS - 800/900/1000mm

Assembly and fitting instructions

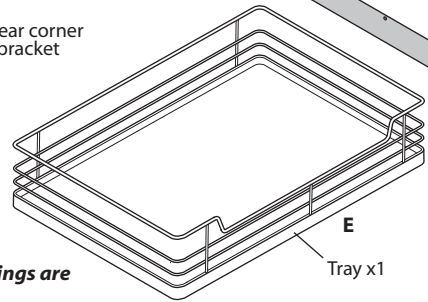
! **IMPORTANT - The unit has a maximum loading limit of 25kg. All fixings supplied must be used for installation.**

Parts **A** x10 3.5 x 40mm countersunk screw

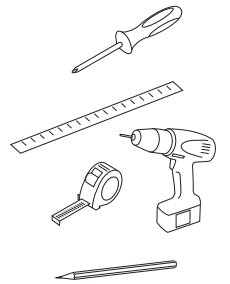


F RH Rear corner tray bracket x1
G LH Rear corner tray bracket x1

H Template x1

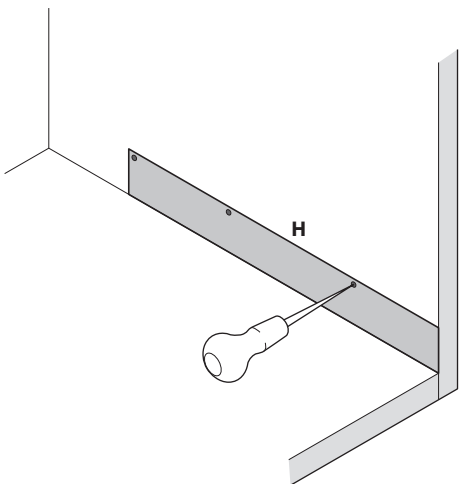


Tools required

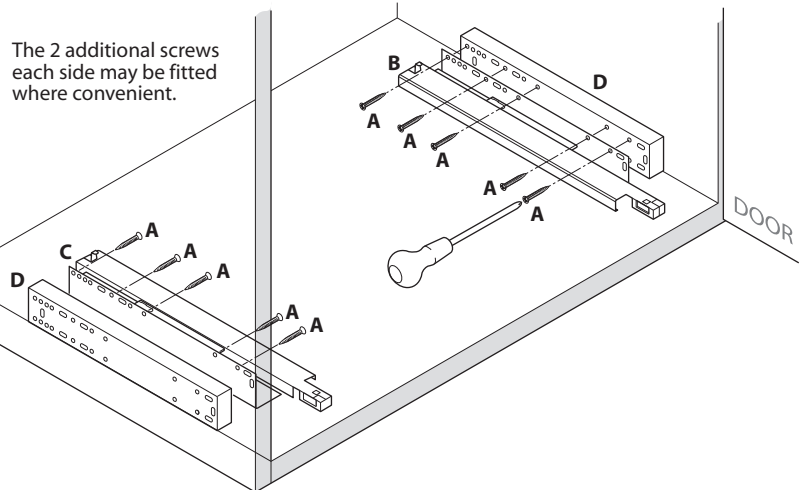


! **Please ensure that all the above fittings are present before installation begins.**

1 Use template to mark screw positions for left and right hand runners.

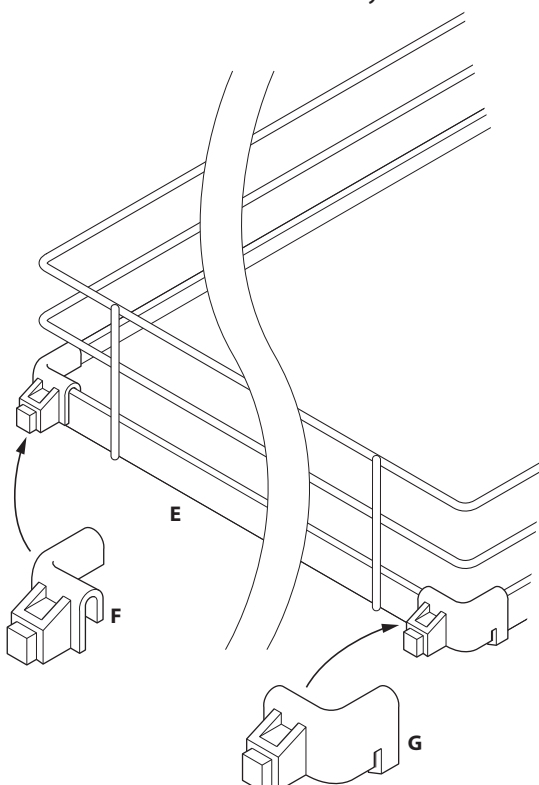


2 Secure runners to cabinet using 5 screws each side, using the spacers provided as shown.

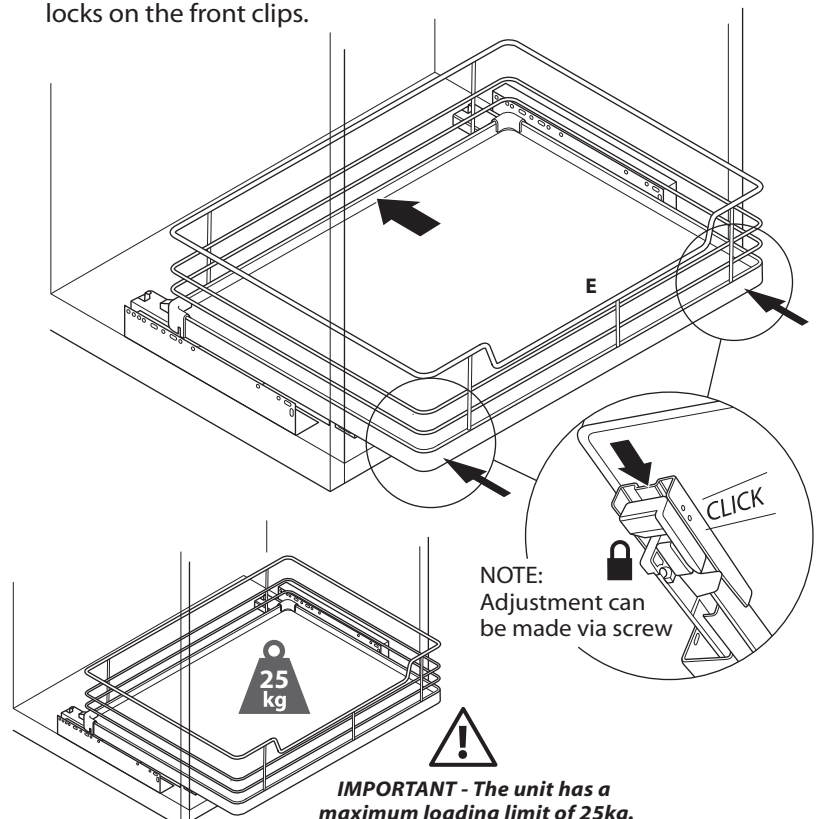


The 2 additional screws each side may be fitted where convenient.

3 Fit rear corner brackets to tray.



4 Slide the tray along the runners until it locates on the rear stops and locks on the front clips.



NOTE: Adjustment can be made via screw

! **IMPORTANT - The unit has a maximum loading limit of 25kg.**