

STANDARD 150mm PULL-OUT UNIT

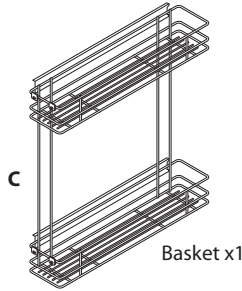
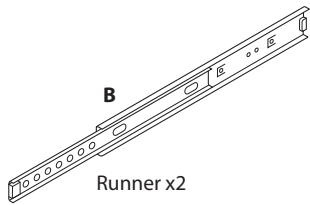
Fitting instructions



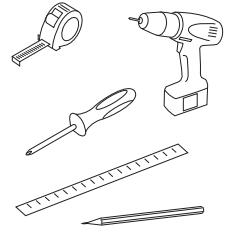
! **IMPORTANT** - The unit has a maximum loading limit of 20kg. All fixings supplied must be used for installation.

Parts

A x12 3.5 x 16mm screw

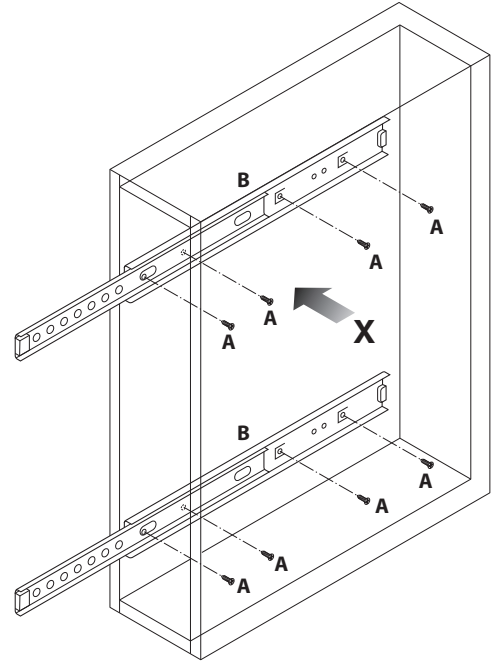
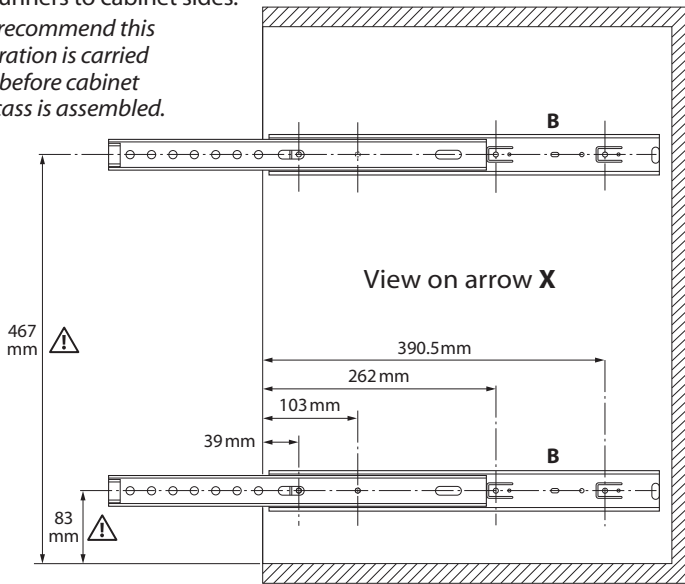


Tools required



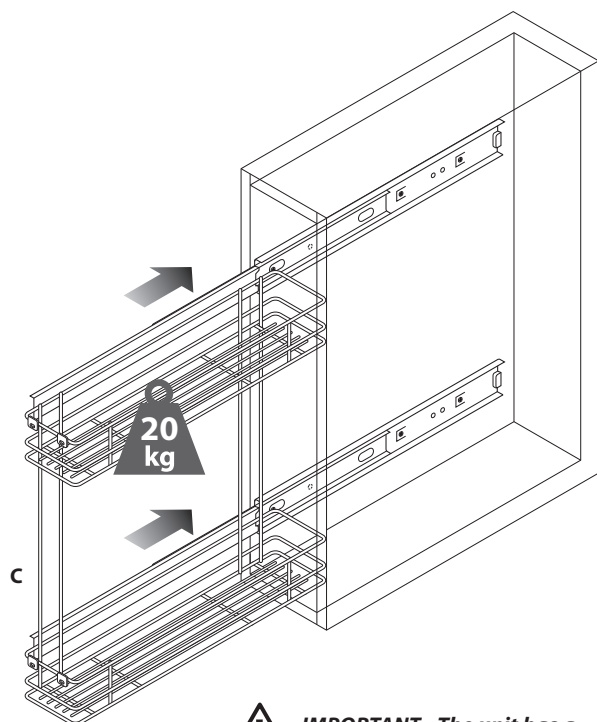
1 Fit runners to cabinet sides.

We recommend this operation is carried out before cabinet carcass is assembled.



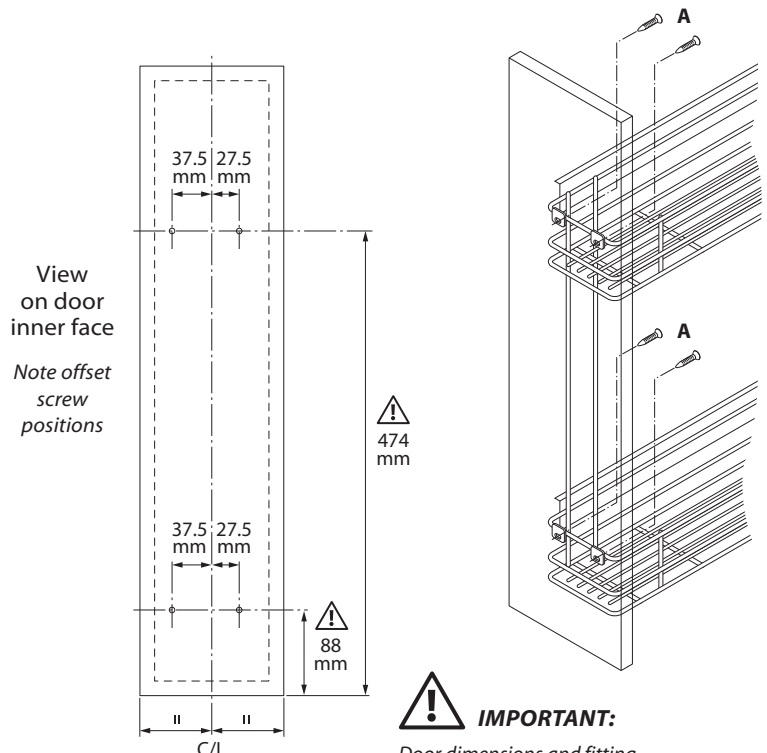
! **IMPORTANT:** Dimensions are based upon a 18mm thick carcass. For other carcass thickness, adjust accordingly.

2 Fit basket to both runners.



! **IMPORTANT** - The unit has a loading limit of 20kg.

3 Fit door to basket.



! **IMPORTANT:** Door dimensions and fitting heights can vary. Adjust accordingly.